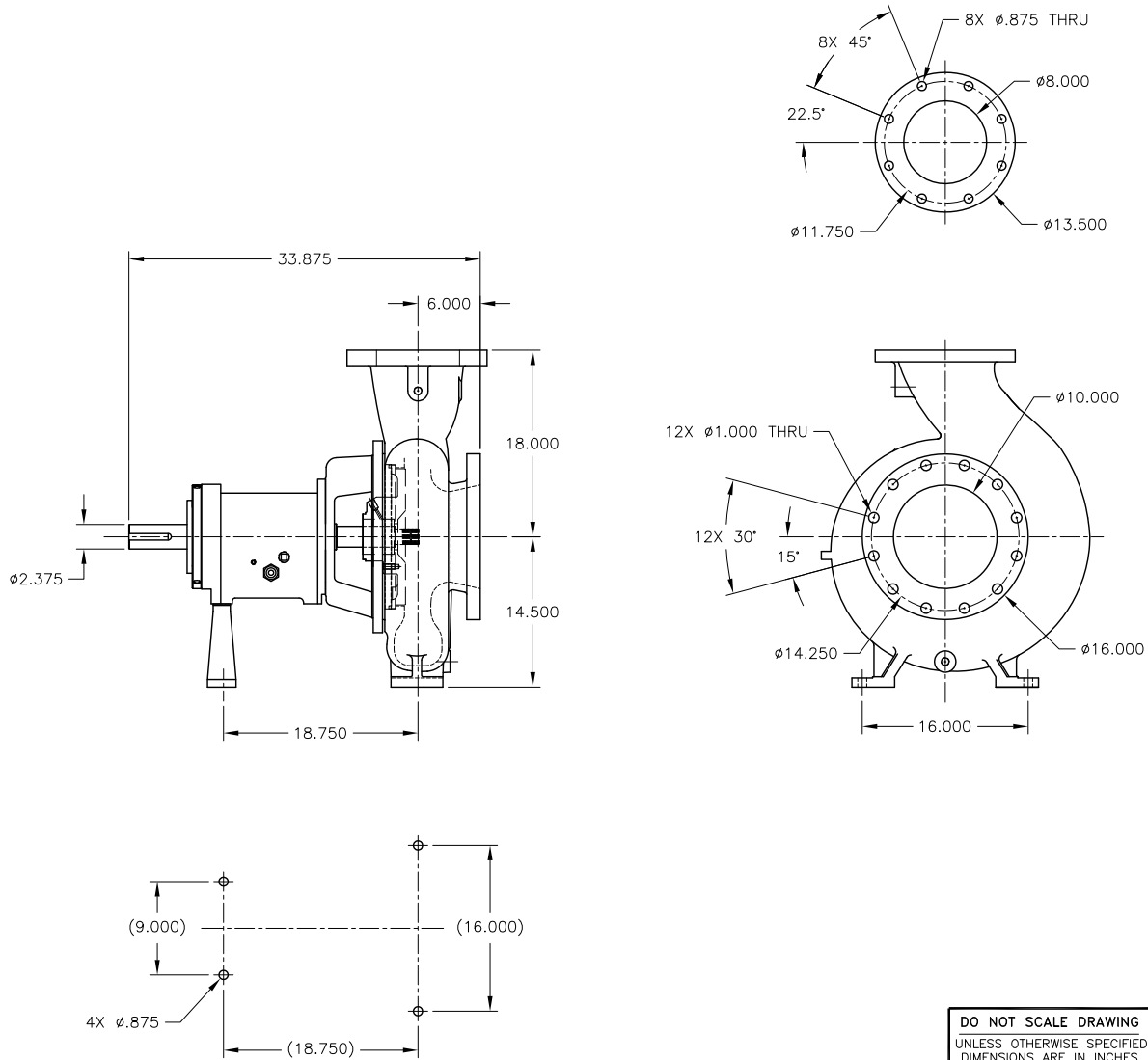


CAD generated and maintained drawing. All printed and electronic copies outside of Griswold's engineering database are "Uncontrolled" and shall be used for reference only.

REV.	DESCRIPTION	BY	APP.	DATE
A	10 x 8 -13 A100 ANSI ASSEMBLY	M.H.		

NOTES: UNLESS OTHERWISE SPECIFIED

1. DIMENSIONS AND TOLERANCES PER ANSI Y14.5M-1982.
2. * INDICATES DIMENSIONS AND/OR FEATURES MODIFIED ON CURRENT REVISION LEVEL.
- * 3. THIS PUMP MAY HAVE TAPPED BOLT HOLES IN THE SUCTION FLANGE PER ANSI'S ALLOWANCE.



DO NOT SCALE DRAWING	
UNLESS OTHERWISE SPECIFIED	
DIMENSIONS ARE IN INCHES	
TOLERANCES ARE:	
FRACTIONS	± -
DECIMALS .XX	± -
.XXX	± -
ANGLES	± -
SCALE 1/1	SHEET 1 OF 1

		GRISWOLD PUMP COMPANY	
		<small>22000 VAN BUREN ST. GRAND TERRACE, CA 92313 PHONE: (800) 843-9223, FAX: (800) 752-2928</small>	
TITLE ASSEMBLY, 10 X 8-13 A100 ANSI			
DRAWN BY M. HIATT	DATE 02/17/09	ASSY. NO.	
CHECKED BY	DATE	DRAWING NO.	REV.
APPROVED BY	DATE	10813A100 A	

THIS DOCUMENT AND ITS CONTENTS ARE PROPRIETARY TO WILSON PUMP AND ENGINEERING CO. ANY REPRODUCTION, DISCLOSURE OR USE OF THIS DOCUMENT IS EXPRESSLY PROHIBITED EXCEPT AS OTHERWISE AGREED TO IN WRITING.